

# Flo-Control™ Valves

**Flo-Control Valves** prevent gravity flow in forced hot water systems, and permit summer/winter operation of indirect water heaters.

- Combination straight/angle configurations in sizes 3/4" to 2" for ease of installation.
- Removeable top cap allows easy cleaning and service without removing pipe connections.
- Manual operating position for vertical lift disc to permit gravity circulation.

Model No.	Part No.	Dimension in Inches (mm)					Approx Shpg. Wt. lbs. (Kg)
		A	B	C	D	E	
SA 3/4	107034	3 1/8 (79)	4 15/16 (125)	1 5/8 (41)	1 9/16 (40)	1 7/16 (37)	2 (0.9)
SA 1	107018	3 1/2 (89)	5 1/2 (140)	1 7/8 (48)	1 3/4 (44)	1 1/2 (38)	3 (1.4)
SA 1 1/4	107019	4 (102)	6 1/2 (165)	2 1/4 (57)	1 31/32 (50)	1 7/8 (48)	4 (1.8)
SA 1 1/2	107020	5 (127)	7 1/4 (184)	3 (76)	2 1/2 (64)	2 1/4 (57)	8 (3.6)
SA 2	107021	6 7/8 (175)	7 1/2 (191)	4 5/8 (117)	4 (102)	2 5/8 (67)	12 (5.5)
A 2 1/2	107006	7 1/4 (184)	7 5/8 (194)	5 3/8 (137)	4 1/2 (114)	4 1/8 (105)	20 (9.1)
A 3	107007	7 1/2 (191)	7 3/4 (197)	6 (152)	4 1/2 (114)	4 1/4 (108)	23 (10.5)
S 2 1/2	107014	9 5/16 (237)	8 11/16 (221)	5 3/8 (137)	4 3/4 (121)	2 11/16 (68)	22 (10.0)
S 3	107015	9 15/16 (252)	9 (229)	6 (152)	5 1/4 (133)	3 (76)	24 (10.9)
S 4	107004	13 (330)	12 1/2 (318)	7 3/4 (197)	7 (178)	3 7/8 (98)	58 (26.4)
SB 3/4	107024	3 1/4 (83)	3 7/8 (98)	1 7/16 (37)	1 5/8 (41)	23/32 (18)	1.2 (0.6)

Dimensions are approximate and subject to change. Contact factory for certified dimensions.  
**Maximum Operating Temperature: 250°F (121°C) - Maximum Working Pressure: 125PSIG (862KPa)**



**Angle Pattern**  
2-1/2", 3"



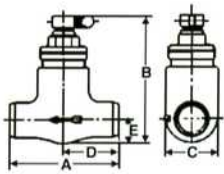
**Straight-Angle Pattern**  
3/4", 1", 1-1/4", 1-1/2", 2"



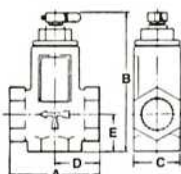
**Bronze Straight Pattern**  
3/4"



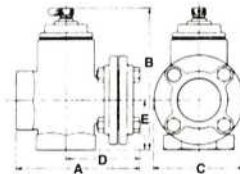
**Straight Pattern**  
2-1/2", 3", 4"



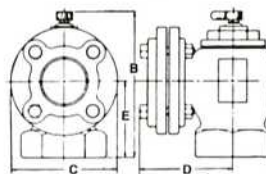
Sizes 3/4"  
**Bronze Straight Valve**



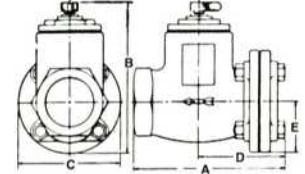
Sizes 3/4", 1", 1-1/4", 1-1/2"  
**Straight Angle Valves**



Sizes 2"  
**Straight Angle Valves**



Sizes 2-1/2", 3"  
**Angle Valves**



Sizes 2-1/2", 3", 4"  
**Straight Valves**

# Hydrotol™ Flow Control Valves

## Description

The Hydrotol (HT) flow control valve is used to prevent overheating of zones due to gravity flow in hydronic heating systems and will permit summer-winter operation of indirect water heater. The HT valve allows fluid to pass when the system or zone pumps start. When the system or zone pumps are not operating, the HT valve remains closed, preventing gravity circulation. The HT valves are designed with a 1/2 turn knob that can be manually opened when draining the system or for bypass purposes. The HT valve can be installed in either the horizontal or vertical orientation.

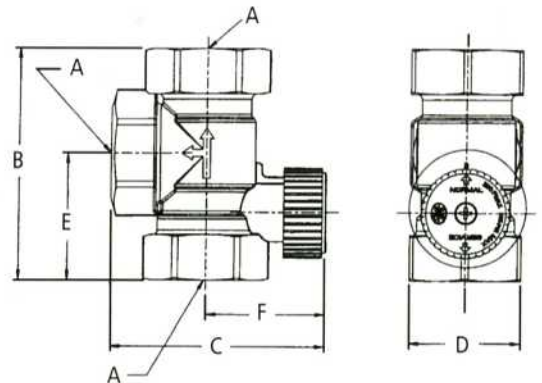


## Operating Data

Maximum working pressure . . . . . 150 psi (10 bar)  
 Maximum operating temperature . . . . . 250°F (121°C)

## Materials of Construction

Body . . . . . Brass  
 Internal Components . . . . . Non-Ferrous



## Dimension & Weights

Model No.	Part No.	Dimensions — Inches (mm)						Approx. Shpg. Wt. lbs. (Kg)
		A	B	C	D	E	F	
HT-3/4	107035	3/4" NPTF	3-3/16" (82)	3" (76)	1-9/16" (40)	1-3/4" (44)	1-11/16" (43)	1.3 lbs. (0.6)
HT-1	107037	1" NPTF	3-5/8" (93)	3-3/16" (82)	1-9/16" (40)	1-15/16" (50)	1-11/16" (43)	1.2 lbs. (0.5)
HT - 1-1/4	103038	1-1/4" NPTF	4" (101)	3-11/16" (93)	1-11/16" (43)	2-1/4" (57)	1-7/8" (48)	1.8 lbs. (0.8)

Do not use for construction. Dimensions are approximate and subject to change. Contact factory for certified dimensions.

