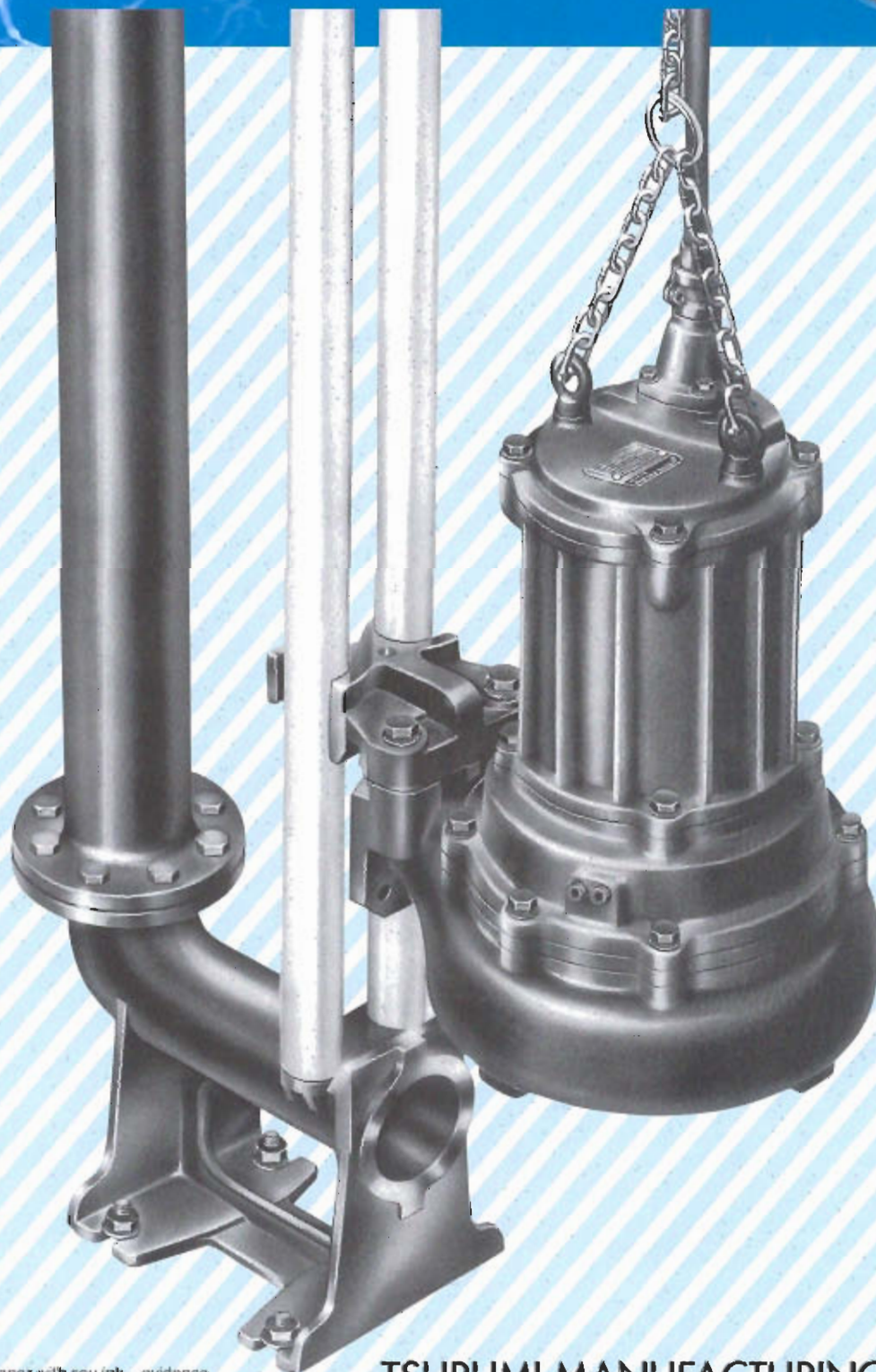


**Rugged, Powerful TSURUMI
Pumps for Perfect Sewage &
Waste Water Control**

Series

C



Printed on a recycled paper with soy ink - evidence
of our commitment to the environment

TSURUMI MANUFACTURING CO.,LTD.

Tungsten Carbide Edged Impeller Shreds Solids, Making Pumps Efficient Sewage Ejectors

TSURUMI C-series submersible pumps with a tungsten carbide edged impeller are ideal for pumping sewage, waste water, and digested solids containing long fibers materials at pumping stations and sewage treatment plants. The pumps are also used at many construction sites for continuous drainage. The C-series pumps have the same high-quality construction as the B-series. See our B-series catalogue for typical installation.

Cable Sealing (Unique Sealing Device)

Waterproof power cords prevent water infiltration; cable ends sealed with epoxy resin or molded rubber, and leadwires partially stripped off for perfect resin sealing—triple protection for the motor against water penetration.

Motor Protection

Safety device protects the motor windings from overheating caused by motor or pump malfunction.

Motor

Dry-type E, B, or F insulation class motor has high torque and load with enough power to drive the cutting impeller powerfully and efficiently.

Leak Sensor

An optional leak sensor is available for increased motor protection.

Shaft Sealing Device

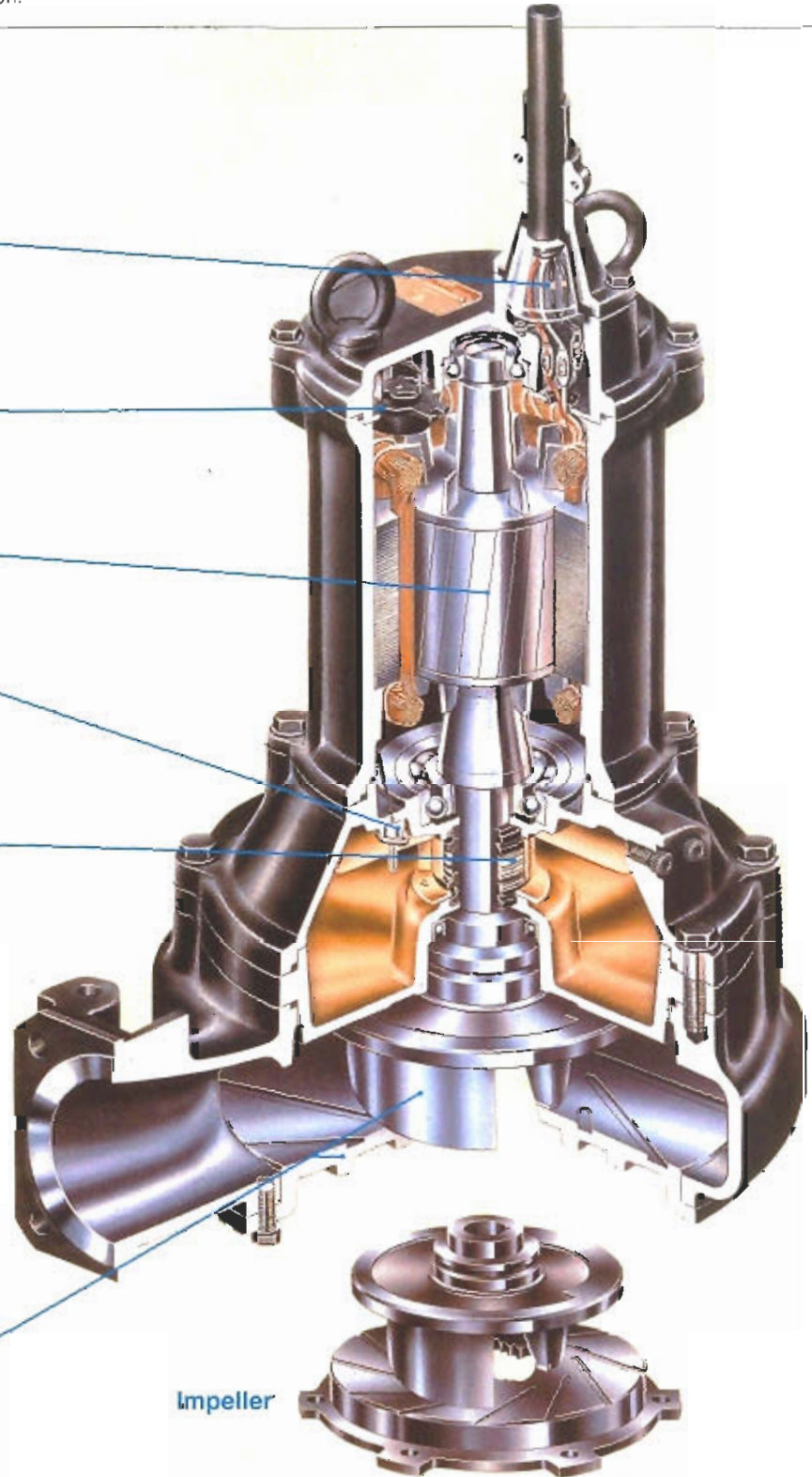
A double mechanical shaft seal of heat- and corrosion-resistant silicon carbide faces fully protecting the motor from water infiltration. Tsurumi's unique **OIL LIFTER** (built-in 1.5kW or higher) stabilizes and enhances mechanical seal lubrication, and cooling effect.

Impeller & Suction Cover

Sintered tungsten carbide alloy edge is brazed on the impeller vanes and the suction cover is serrated, providing for instantaneous solids shredding, thereby preventing clogging in the pump.

High Chrome Iron Cutter Plate

Withstands abrasion, field replaceable adjustable is designed with serrated suction opening and horizontal cutting grooves provide trouble free pumping.



Impeller