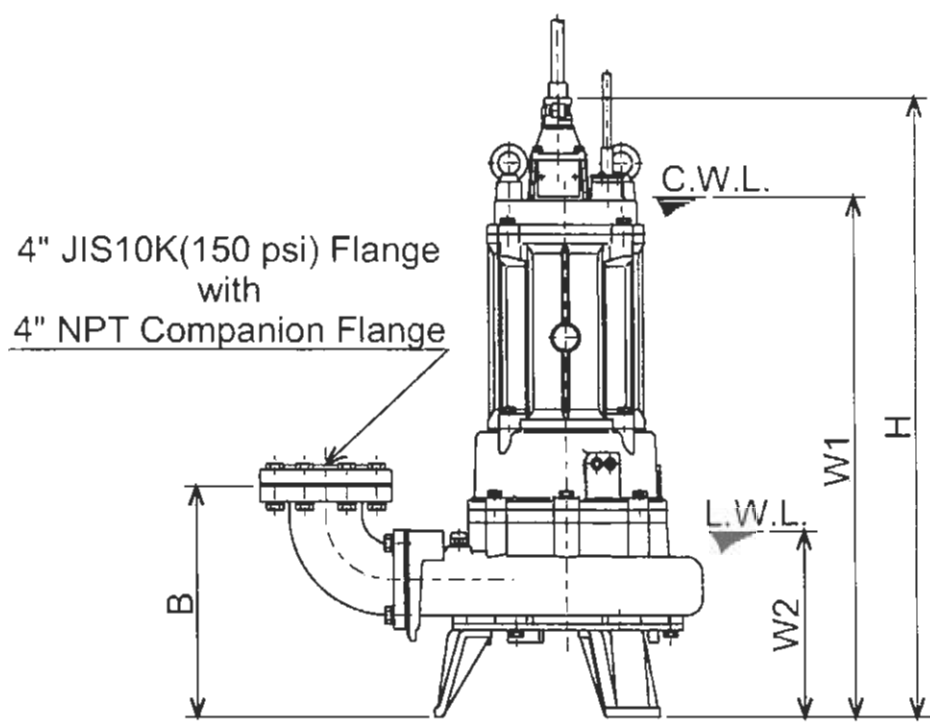
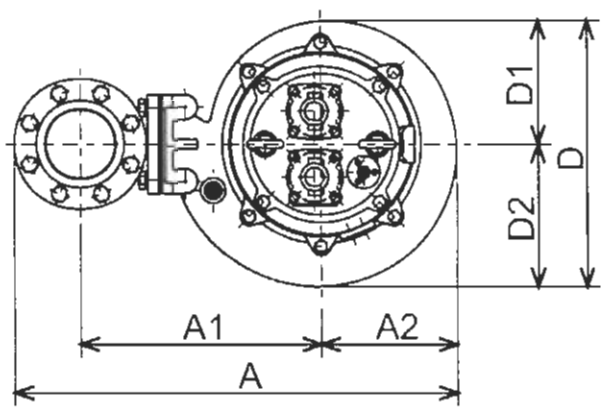


100C411



4" JIS10K(150 psi) Flange with 4" NPT Companion Flange

C.W.L. : Continuous running Water Level
L.W.L. : Lowest running Water Level

DIMENSIONS:USCS (Inch)

Model	HP	NOM. SIZE	Pump & Motor								C.W.L.	L.W.L.	Wt. (lbs.)
			A	A1	A2	B	D	D1	D2	H	W1	W2	
100C411	15	4"	27 15/16	15 1/4	8 9/16	14 5/8	16 15/16	7 7/8	9 1/8	39 6/16	33 1/8	11 3/4	392

DIMENSIONS:METRIC (mm)

Model	kW	NOM. SIZE	Pump & Motor								C.W.L.	L.W.L.	Wt. (kg)
			A	A1	A2	B	D	D1	D2	H	W1	W2	
100C411	11	100	710	388	217	372	431	200	231	1000	840	300	178