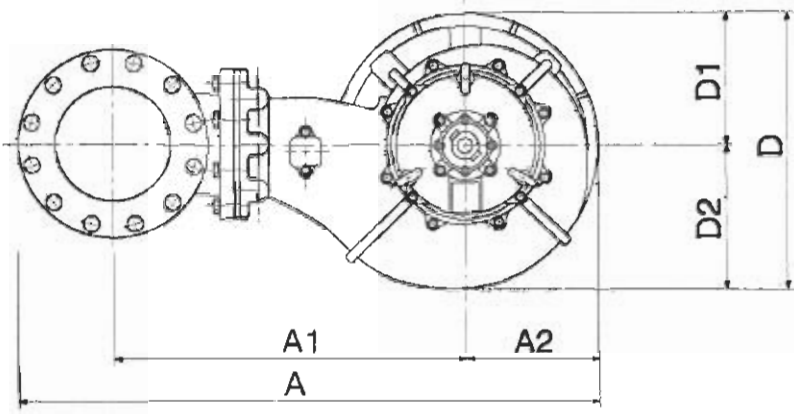
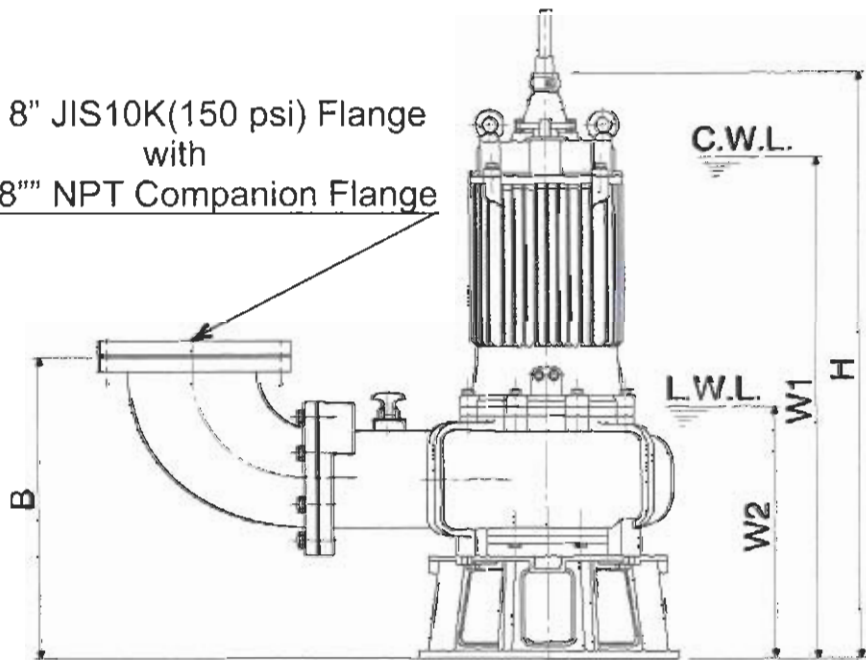


150C611
200C615



6" or 8" JIS10K(150 psi) Flange with
6" or 8" NPT Companion Flange



C.W.L. : Continuous running Water Level
L.W.L. : Lowest running Water Level

DIMENSIONS:USCS (Inch)

Model	HP	NOM. SIZE	Pump & Motor								C.W.L.	L.W.L.	Wt. (lbs.)
			A	A1	A2	B	D	D1	D2	H	W1	W2	
150C611	15	6"	41 1/16	23 3/4	11 13/16	21 7/16	23 11/16	11 7/8	11 13/16	47 11/16	38 3/8	21 5/8	948
200C615	20	8"	43 1/4	24 15/16	11 13/16	22 5/8	23 11/16	11 7/8	11 13/16	49 5/8	44 1/4	21 5/8	1213

DIMENSIONS:METRIC (mm)

Model	kW	NOM. SIZE	Pump & Motor								C.W.L.	L.W.L.	Wt. (kg)
			A	A1	A2	B	D	D1	D2	H	W1	W2	
150C611	11	150	1043	603	300	545	602	302	300	1211	975	550	430
200C615	15	200	1098	633	300	575	602	302	300	1261	1125	550	550