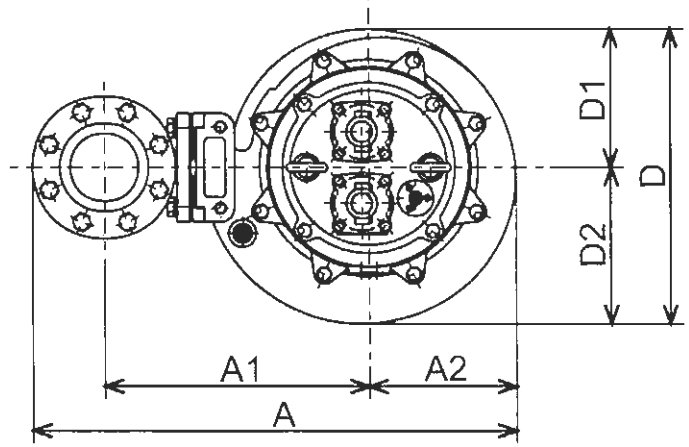
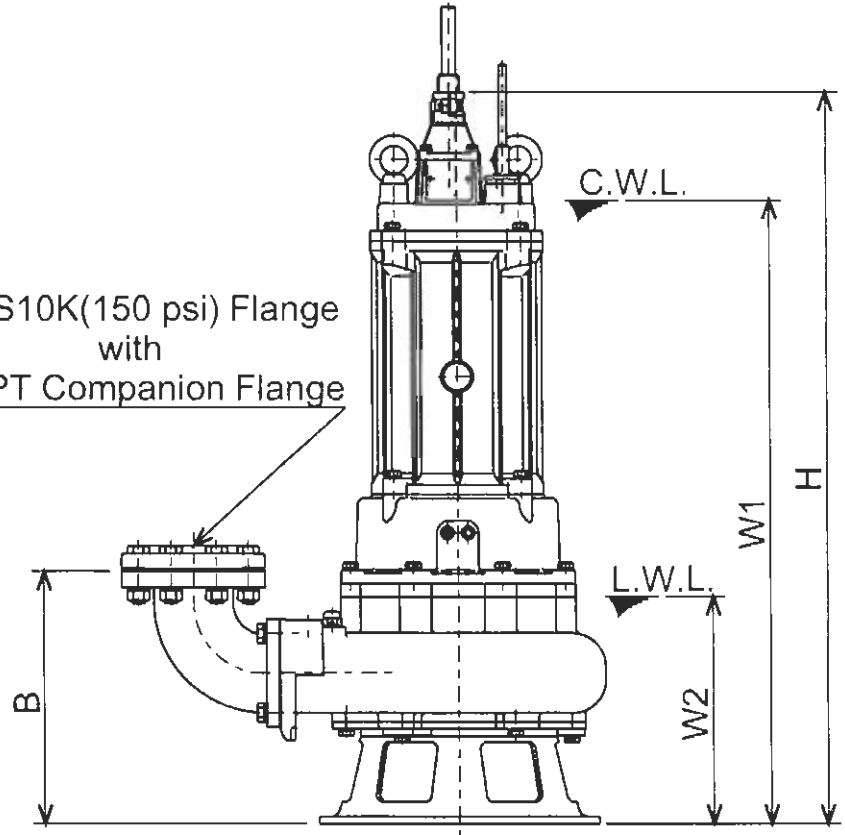


100C415



4" JIS10K(150 psi) Flange with 4" NPT Companion Flange



C.W.L. : Continuous running Water Level  
L.W.L. : Lowest running Water Level

**DIMENSIONS:USCS (Inch)**

Model	HP	NOM. SIZE	Pump & Motor								C.W.L.	L.W.L.	Wt. (lbs.)
			A	A1	A2	B	D	D1	D2	H	W1	W2	
100C415	20	4"	27 13/16	15 1/4	8 7/16	14 5/8	17 3/16	8 1/16	9 1/8	42 1/2	36 1/4	13 1/4	710

**DIMENSIONS:METRIC (mm)**

Model	kW	NOM. SIZE	Pump & Motor								C.W.L.	L.W.L.	Wt. (kg)
			A	A1	A2	B	D	D1	D2	H	W1	W2	
100C415	15	100	707	387	215	372	436	205	231	1080	920	335	322