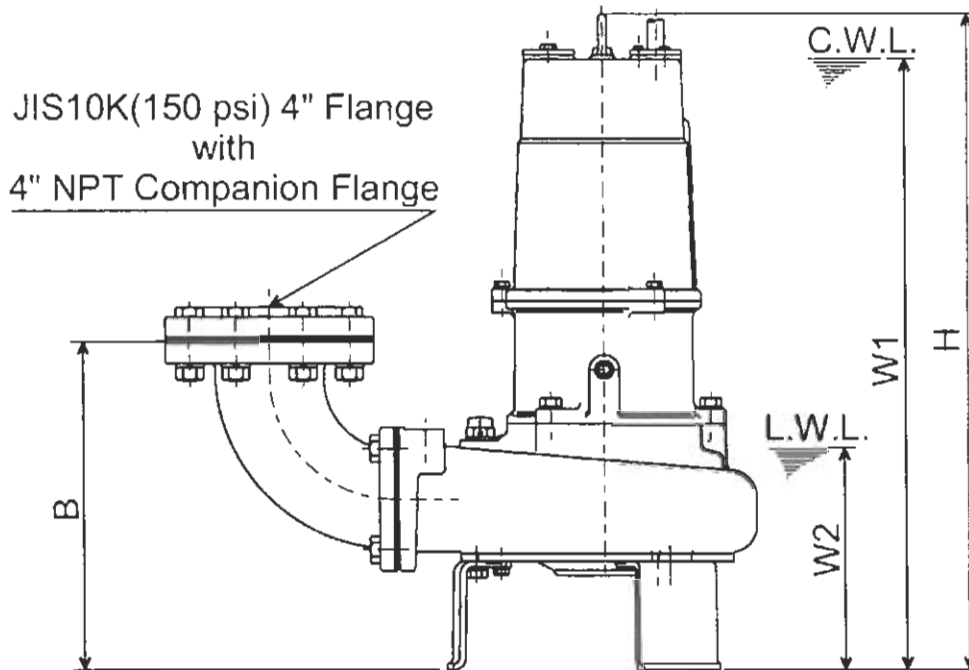


100C42.2
100C43.7



C.W.L. : Continuous running Water Level
L.W.L. : Lowest running Water Level

DIMENSIONS:USCS (Inch)

Model	HP	NOM. SIZE	Pump & Motor								C.W.L. W1	L.W.L. W2	Wt. (lbs.)
			A	A1	A2	B	D	D1	D2	H			
100C42.2	3	4"	23 7/16	13 1/4	6 1/16	12 15/16	13 1/16	6 7/16	6 9/16	24 1/4	22 1/2	8 7/8	150
100C43.7	5	4"	23 11/16	13 1/4	6 5/16	13 1/8	13 3/8	6 7/16	6 7/8	27 3/16	25 3/8	9 1/4	185

DIMENSIONS:METRIC (mm)

Model	kW	NOM. SIZE	Pump & Motor								C.W.L. W1	L.W.L. W2	Wt. (kg)
			A	A1	A2	B	D	D1	D2	H			
100C42.2	2.2	100	596	337	154	328	331	164	167	616	570	225	68
100C43.7	3.7	100	602	337	160	333	339	164	175	690	645	235	84