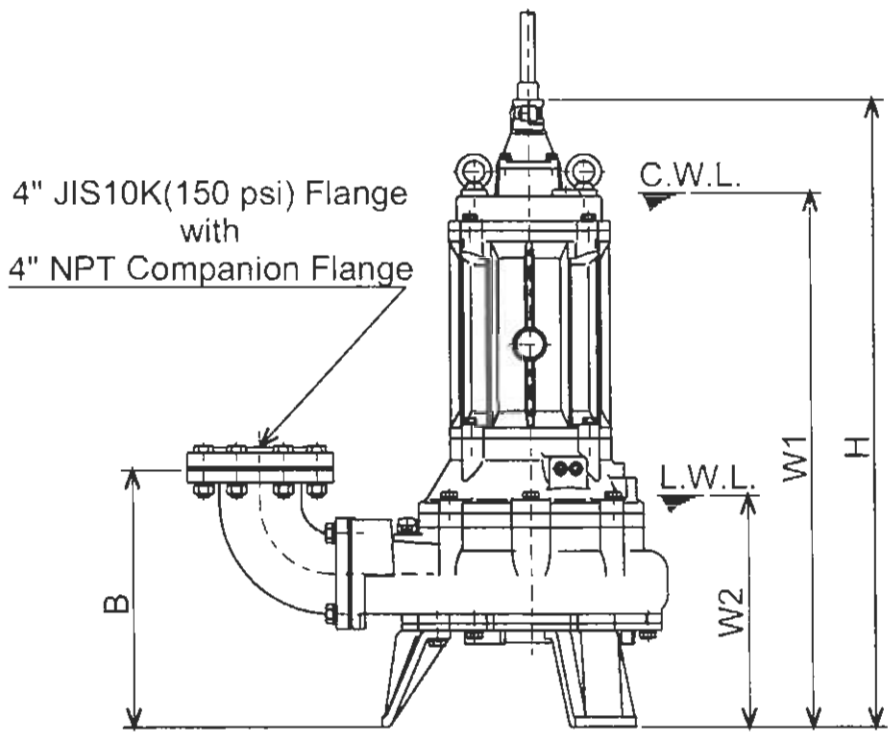


100C45.5
100C47.5



4" JIS10K(150 psi) Flange with
4" NPT Companion Flange

C.W.L. : Continuous running Water Level
L.W.L. : Lowest running Water Level

DIMENSIONS:USCS (Inch)

Model	HP	NOM. SIZE	Pump & Motor								C.W.L.	L.W.L.	Wt. (lbs.)
			A	A1	A2	B	D	D1	D2	H			
100C45.5	7.5	4"	27 1/16	15 1/4	7 5/8	14 5/8	15 3/4	7 3/4	8	35 3/4	30 1/2	13 1/4	313
100C47.5	10	4"	27 1/16	15 1/4	7 5/8	14 5/8	15 3/4	7 3/4	8	36 9/16	31 1/2	13 1/4	342

DIMENSIONS:METRIC (mm)

Model	kW	NOM. SIZE	Pump & Motor								C.W.L.	L.W.L.	Wt. (kg)
			A	A1	A2	B	D	D1	D2	H			
100C45.5	5.5	100	687	388	194	372	400	197	203	908	775	335	142
100C47.5	7.5	100	687	388	194	372	400	197	203	929	800	335	155