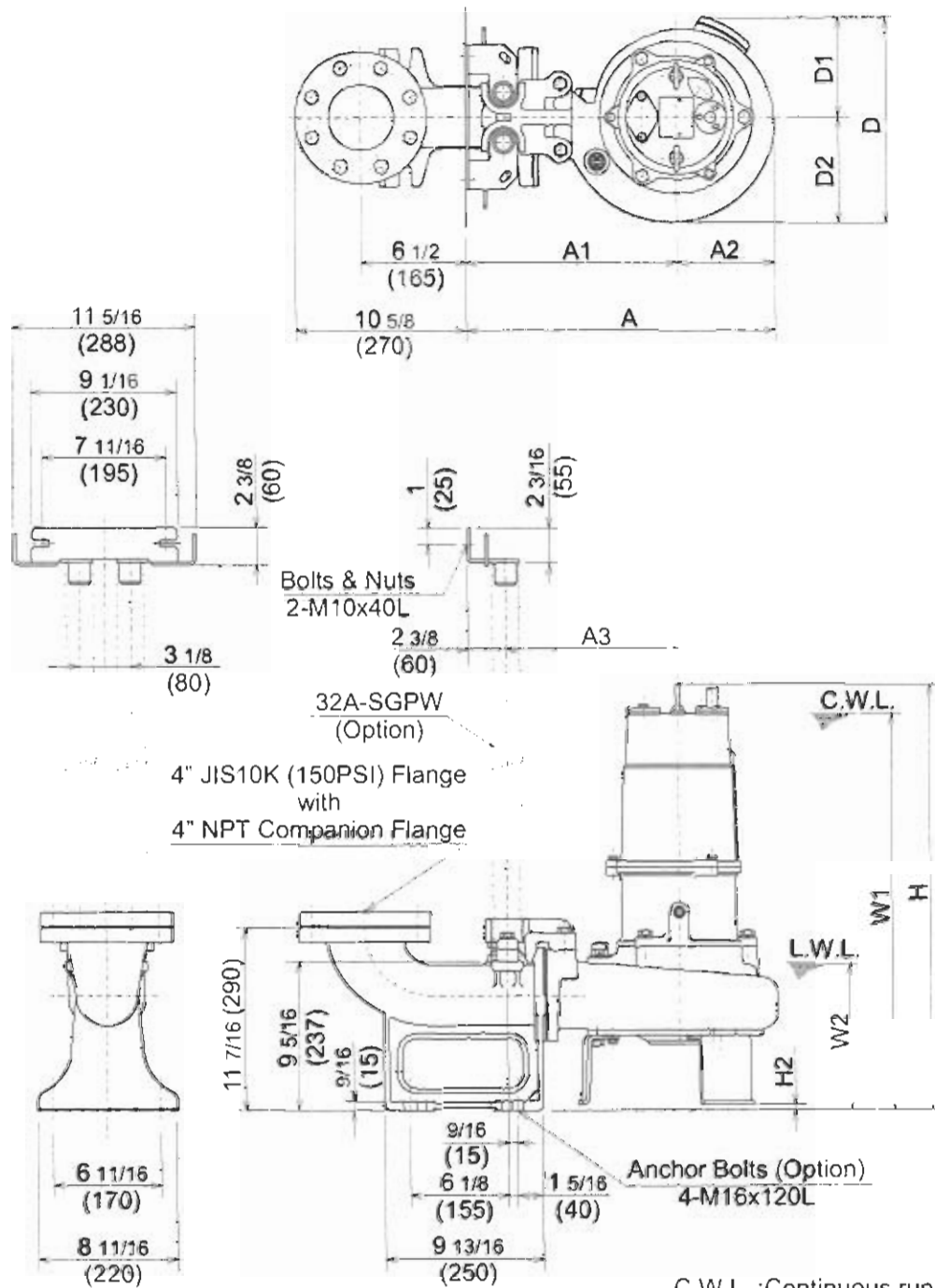


TOS100C42.2
TOS100C43.7



C.W.L. :Continuous running Water Level
L.W.L. :Lowest running Water Level

DIMENSIONS:USCS (Inch)

| Model | HP | NOM. SIZE | Pump & Motor | | | | | | | | | C.W.L. W1 | L.W.L. W2 | Wt. (lbs.) |
|-------------|----|-----------|--------------|----|--------|--------|---------|--------|--------|----------|------|-----------|-----------|------------|
| | | | A | A1 | A2 | A3 | D | D1 | D2 | H | H2 | | | |
| TOS100C42.2 | 3 | 4" | 19 1/16 | 13 | 6 1/16 | 10 5/8 | 13 1/16 | 6 7/16 | 6 9/16 | 24 13/16 | 9/16 | 23 | 9 1/2 | 141 |
| TOS100C43.7 | 5 | 4" | 19 5/16 | 13 | 6 5/16 | 10 5/8 | 13 3/8 | 6 7/16 | 6 7/8 | 27 9/16 | 3/8 | 25 3/4 | 9 5/8 | 176 |

DIMENSIONS:METRIC (mm)

| Model | kW | NOM. SIZE | Pump & Motor | | | | | | | | | C.W.L. W1 | L.W.L. W2 | Wt. (kg) |
|-------------|-----|-----------|--------------|-----|-----|-----|-----|-----|-----|-----|----|-----------|-----------|----------|
| | | | A | A1 | A2 | A3 | D | D1 | D2 | H | H2 | | | |
| TOS100C42.2 | 2.2 | 100 | 484 | 330 | 154 | 270 | 331 | 164 | 167 | 631 | 15 | 585 | 240 | 64 |
| TOS100C43.7 | 3.7 | 100 | 490 | 330 | 160 | 270 | 339 | 164 | 175 | 700 | 10 | 655 | 245 | 80 |