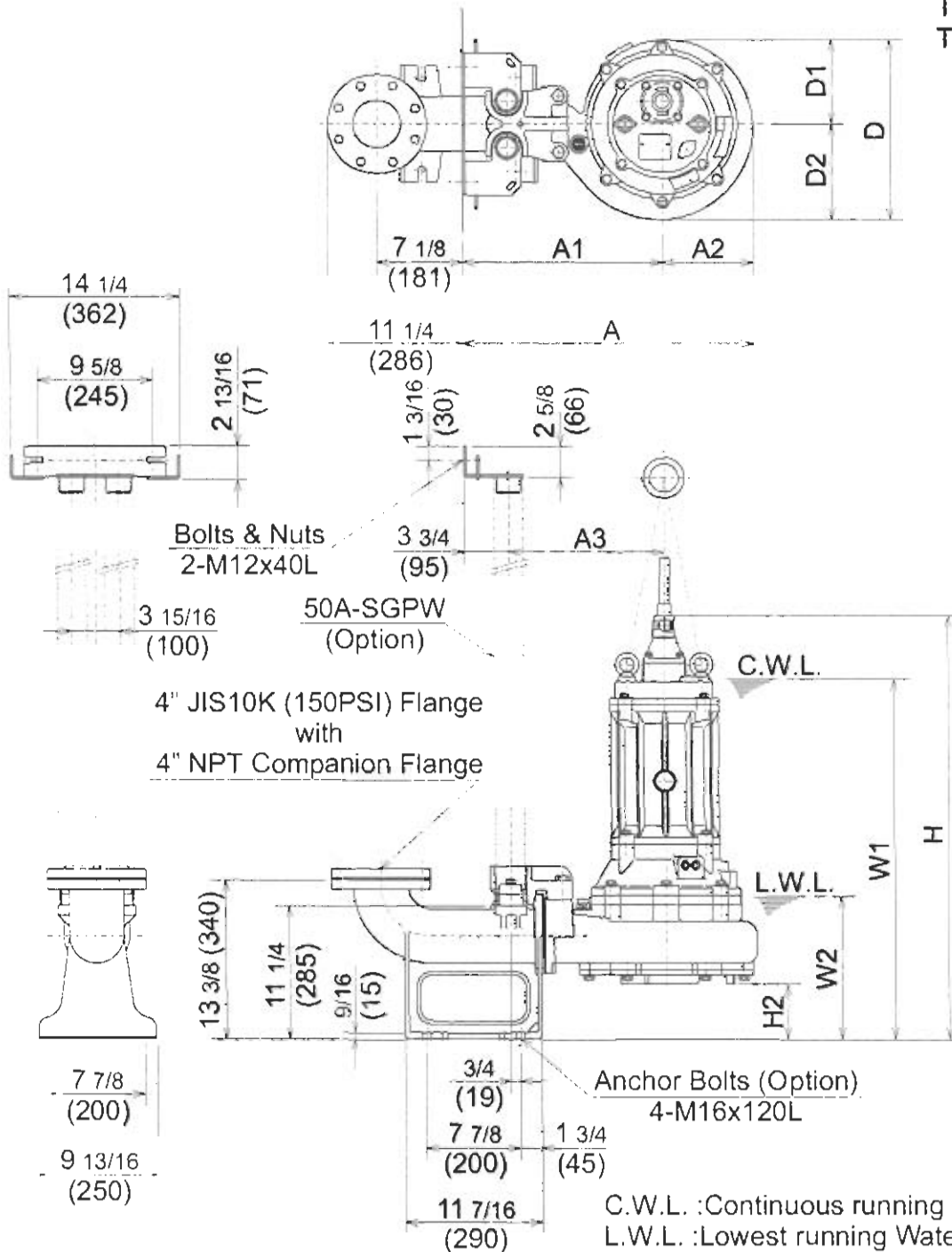


**TOS100C45.5
TOS100C47.5**



DIMENSIONS:USCS (Inch)

Model	HP	NOM. SIZE	Pump & Motor								C.W.L.	L.W.L.	Wt. (lbs.)	
			A	A1	A2	A3	D	D1	D2	H				H2
TOS100C45.5	7.5	4"	24 3/8	16 3/4	7 5/8	13	15 1/8	7 1/8	8	35 11/16	4 5/8	30 1/2	12	298
TOS100C47.5	10	4"	24 3/8	16 3/4	7 5/8	13	15 1/8	7 1/8	8	36 1/2	4 5/8	31 1/2	12	326

DIMENSIONS:METRIC (mm)

Model	kW	NOM. SIZE	Pump & Motor								C.W.L.	L.W.L.	Wt. (kg)	
			A	A1	A2	A3	D	D1	D2	H				H2
TOS100C45.5	5.5	100	619	425	194	330	384	181	203	906	118	775	305	135
TOS100C47.5	7.5	100	619	425	194	330	384	181	203	927	118	800	305	148