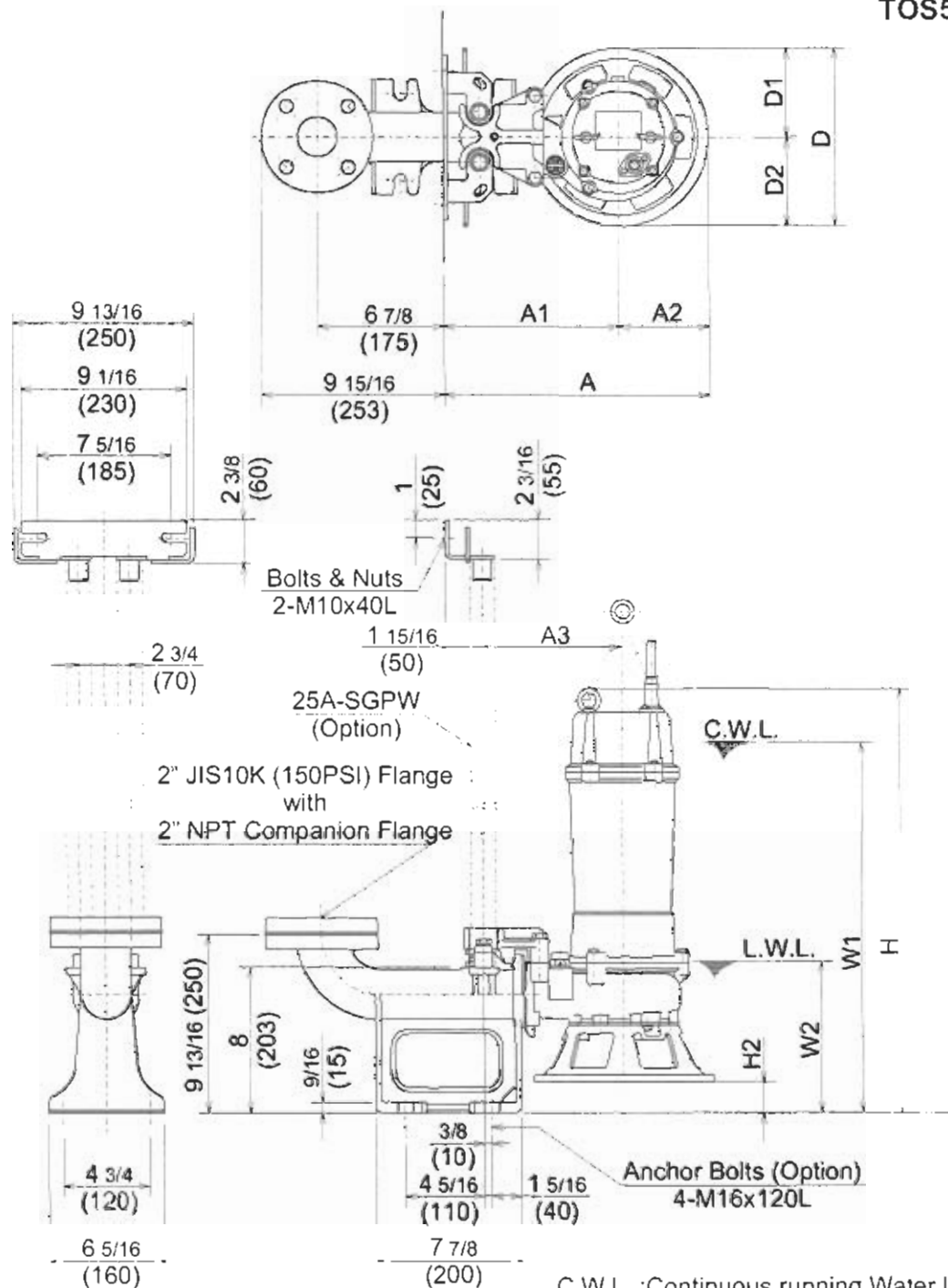


TOS50C2.75S



C.W.L. :Continuous running Water Level
 L.W.L. :Lowest running Water Level

DIMENSIONS:USCS (Inch)

Model	HP	NOM. SIZE	Pump & Motor									C.W.L.	L.W.L.	Wt. (lbs.)
			A	A1	A2	A3	D	D1	D2	H	H2			
TOS50C2.75S	1	2"	14 1/2	9 9/16	4 15/16	7 5/8	9 13/16	4 15/16	4 15/16	22 5/16	1 3/4	18 1/4	7 1/2	68

DIMENSIONS:METRIC (mm)

Model	kW	NOM. SIZE	Pump & Motor									C.W.L.	L.W.L.	Wt. (kg)
			A	A1	A2	A3	D	D1	D2	H	H2			
TOS50C2.75S	0.75	50	368	243	125	193	250	125	125	567	44	465	190	31