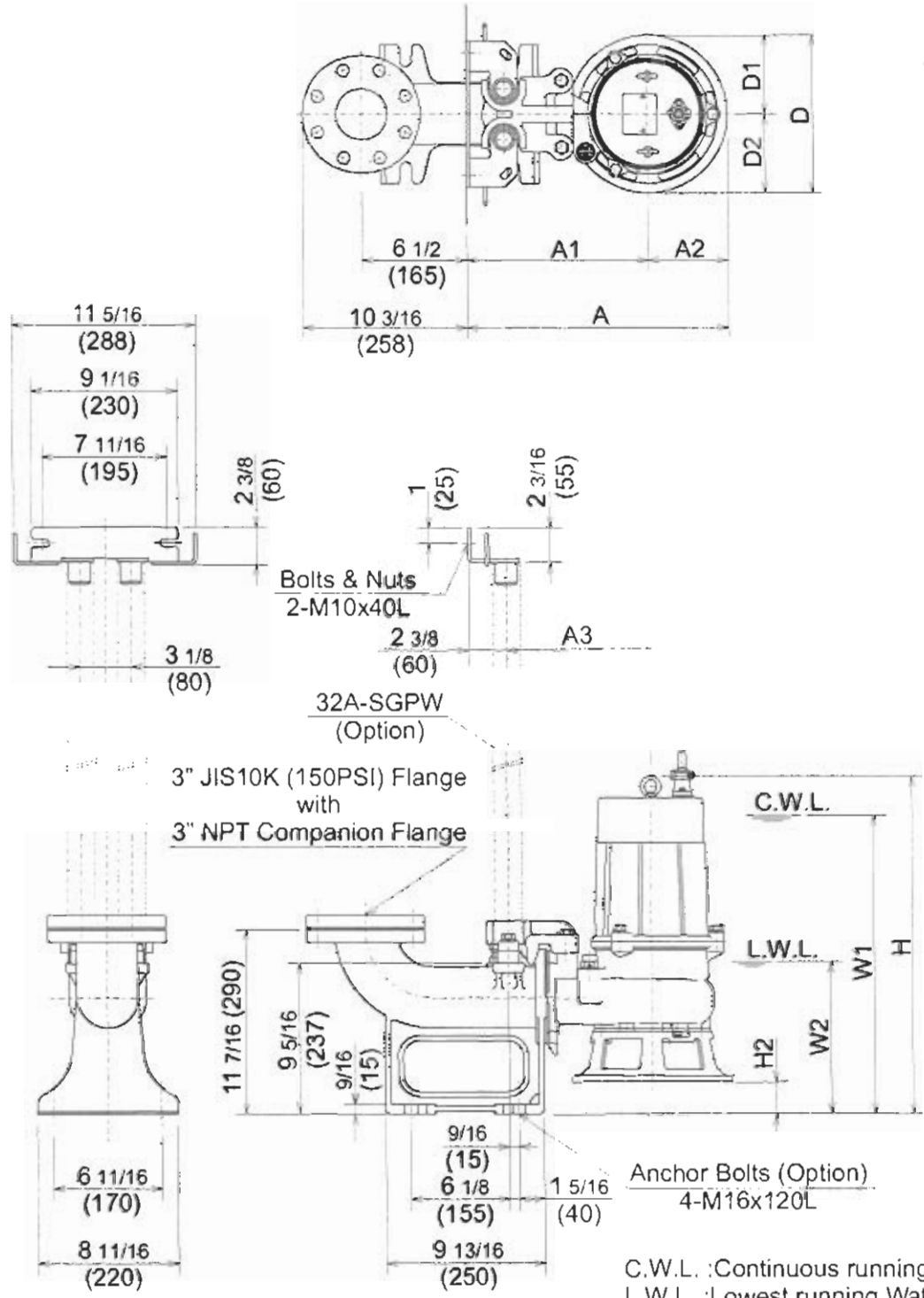


**TOS80C21.5**



C.W.L. :Continuous running Water Level  
L.W.L. :Lowest running Water Level

**DIMENSIONS:USCS (Inch)**

Model	HP	NOM. SIZE	Pump & Motor										C.W.L.	L.W.L.	Wt. (lbs.)
			A	A1	A2	A3	D	D1	D2	H	H2	W1			
TOS80C21.5	2	3"	16 1/8	11 1/4	4 15/16	8 7/8	9 13/16	4 15/16	4 15/16	4 15/16	21	1 15/16	19 5/8	9 1/2	79

**DIMENSIONS:METRIC (mm)**

Model	kW	NOM. SIZE	Pump & Motor										C.W.L.	L.W.L.	Wt. (kg)
			A	A1	A2	A3	D	D1	D2	H	H2	W1			
TOS80C21.5	1.5	80	410	285	125	225	250	125	125	125	533	50	500	240	36